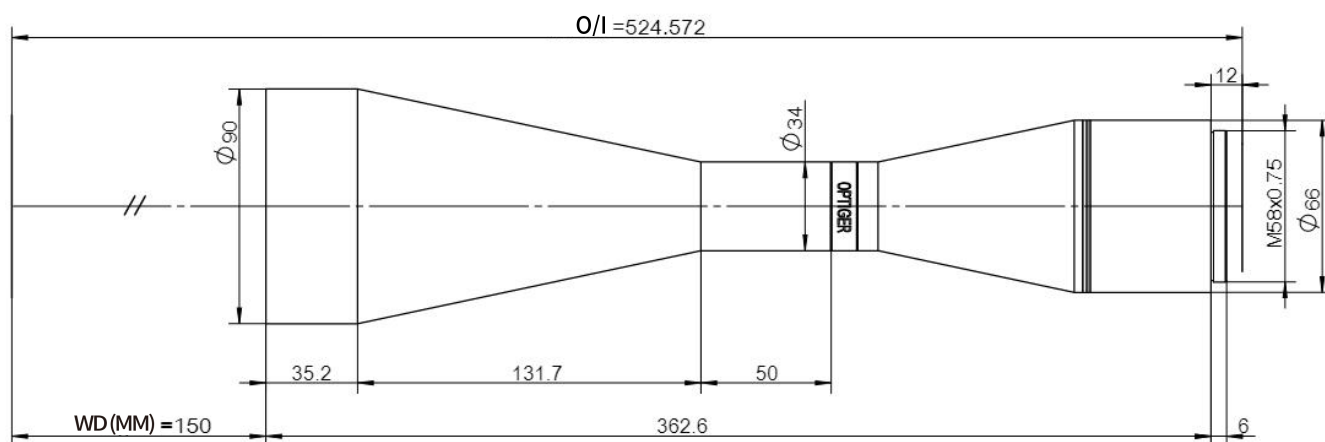




# TTL39.2-70-150F/M58



Unit: mm

## Specifications

Max. FOV(mm)	70
Sensor Size (mm)	39.2
Magnification	0.560
WD (mm)	150±5
Effective F-number	12
Object-side Resolution (um)	14.38
DOF (mm)	3.06
Measured Telecentricity	0.05°
Measured Distortion	0.05%
Mount	F/M58-Mount
Length(mm)	362.6
Diameter (mm)	90
Weight (g)	1477

**DESIGNED IN GERMANY**  
ULTRA HIGH PERFORMANCE BI-TELECENTRIC LENSES

## Features

Available for cameras with sensor size of 35mm

## FOV (mm\*mm)

APS-C(22×15)	25.3×17.2
35mm(28×21)	32.2×24.1
Max Sensor Size(31×24.1)	35.6×27.7